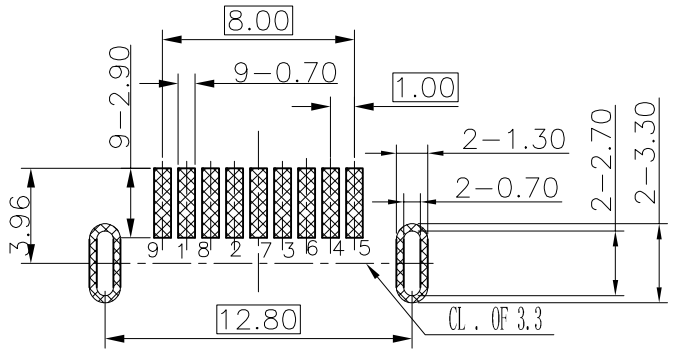
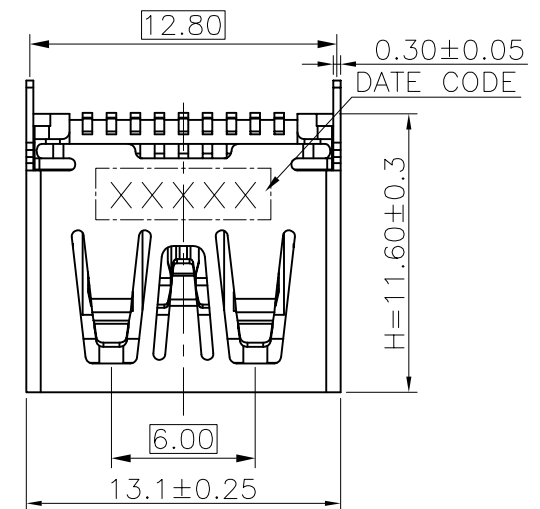


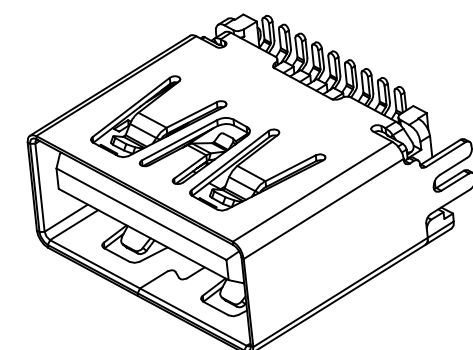
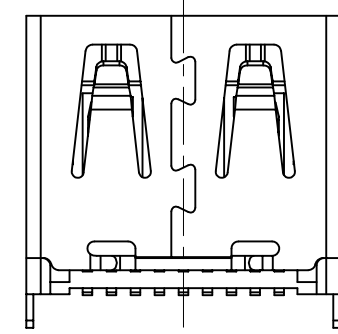
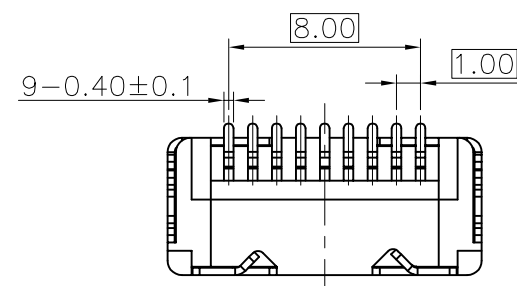
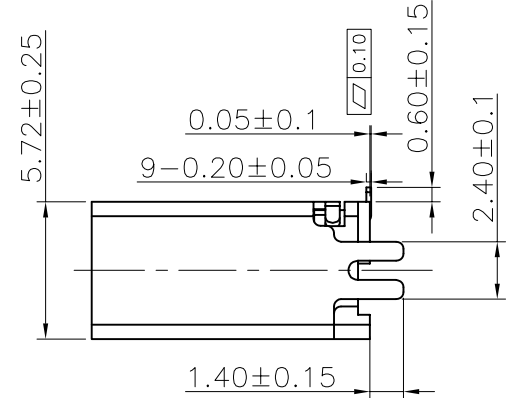
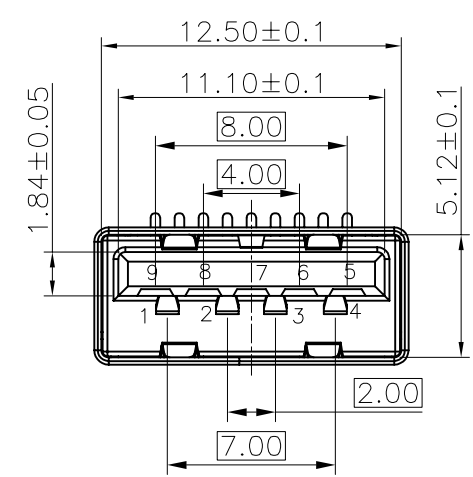


A B C D E F



RECOMMENDED PCB LAYOUT
(COMPONENT SIDE, TOLERANCE: ±0.05)

NOTES:
 1.MATERIAL:
 1.1 HOUSING: SEE TABLE
 1.2 CONTACTS: SEE TABLE
 1.3 SHELL: SEE TABLE
 2.FINISH:
 2.1 CONTACT: SEE P/N
 2.2 SHELL: SEE TABLE
 3.THE CONNECTOR IS RoHS COMPLIANT.
 4.DATE CODE: XXXXXX
 YEAR
 MONTH
 DATE
 FACTORY
 5.SPEC. PLS. REFER TO PS-50925-XXXX-XXX
 6.PACKAGE PLS. REFER TO 30164-XXXX-XXX-PCK
 7.P/N: 30164-009 X X-XXX
 CKTS
 PACKING
 2: TRAY
 001: BLUE
 PLATING:
 2:GOLD FLASH ON CONTACT AREA



3D VIEW

C	SHELL	1	STEEL	50u" MIN. NICKEL PLATED
B	TERMINAL	9	COPPER ALLOY	50u" MIN. NICKEL UNDERPLATED CONTACT AREA: SEE P/N SOLDER AREA: 80u" MIN. MATTE TIN PLATED
A	HOUSING	1	HIGH TEMP. THERMOPLASTIC	UL 94V-0, COLOR: SEE P/N
		Q'TY	MATERIAL	PLATING & COLOR

Pin #	SIGNAL NAME	QUALITY SYMBOLS	DRAWN BY	DATE	
1	VBUS	MAJOR	LIAO WAN TING	'18/03/12	
2	D-	CRITICAL	CHECKED BY	DATE	TITLE USB3.0 VERTICAL TYPE SMT H=11.6
3	D+	GENERAL TOLERANCES (UNLESS SPECIFIED)	TENG CHANG HO	'18/03/12	
4	GND	X ±0.5	APPROVED BY	DATE	SIZE A4
5	StdA_SSRX-	.X ±0.25	KUO JUNG HSUN	'18/03/12	
6	StdA_SSRX+	XX ±0.15	UNITS	mm	DWG NO. 30164-XXXXX-XXX
7	GND_DRAIN	XXX ±0.1	SCALE	1 OF 1	
8	StdA_SSTX-	ANGLES ±2°	SHEET NO.	A	REV A
9	StdA_SSTX+				
Shell	Shield				PART NO. SEE NOTES